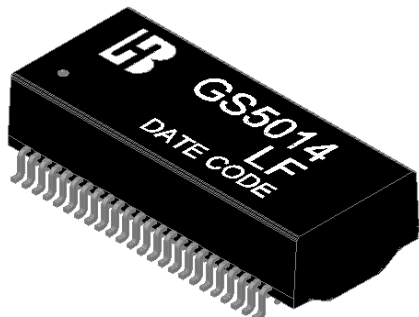


**1000 BASE –T DUAL PORT  
MAGNETICS MODULES  
P/N: GS5014 LF DATA SHEET**



**Feature**



- Designed for Ethernet 100/1000 BASE-T, full duplex applications.
- Supports 8 pairs of category 5 UTP cable.
- Cable interface for isolation and low common mode emissions.
- Complying with IEEE 802.3ab standard for 1000 BASE-T.
- POE applications with 350mA current capability.
- Complying with ROHS & Halogen Free requirements.
- Operating temperature range: 0°C to +70°C.
- Storage temperature range: -25°C to +85°C.

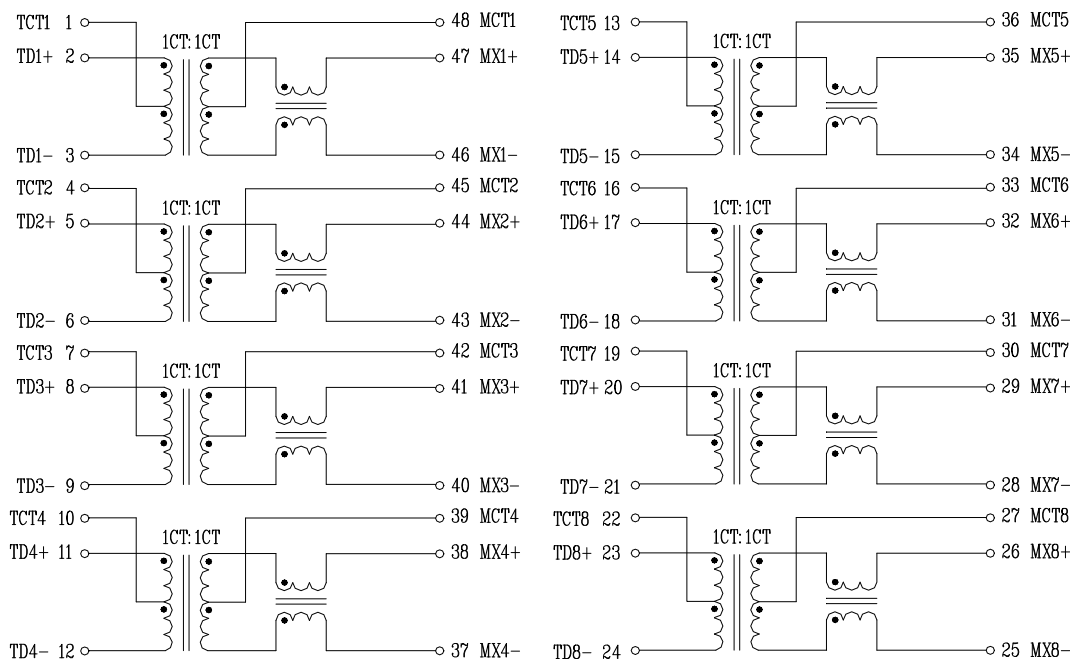
**Electrical Specifications @ 25°C**

Part Number	Turns Ratio (±5%)		OCL (uH Min) @100KHz/0.1V with 8mA DC Bias	Cross talk (dB Min)			HI-POT (Vrms)
	TX	RX		30MHz	60MHz	100MHz	
GS5014 LF	1CT:1CT	1CT:1CT	350	-40	-35	-30	1500

**Continue**

Part Number	Insertion Loss (dB Max)	Return Loss (dB Min) @ Load 100Ω					DCMR (dB Min)		
		1-100MHz	1-30MHz	40MHz	50MHz	60-80MHz	100MHz	30MHz	60MHz
GS5014 LF	-1.0	-18	-14.4	-13.1	-12	-10	-43	-37	-33

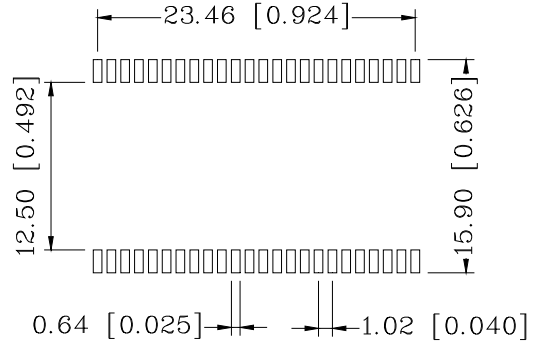
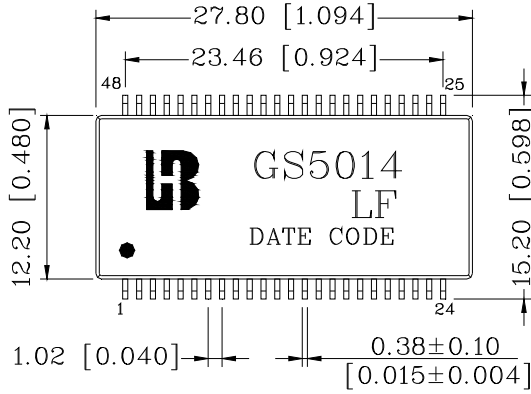
**Schematic**



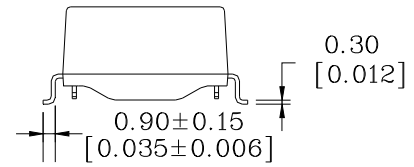
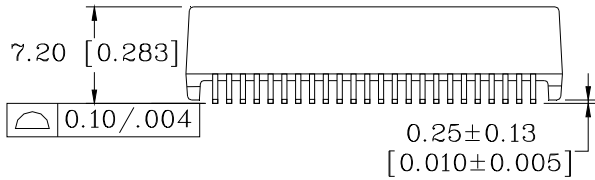
**1000 BASE -T DUAL PORT  
MAGNETICS MODULES  
P/N: GS5014 LF DATA SHEET**



**Mechanical**



SUGGESTED PAD LAYOUT



Units: mm [Inches] Tolerance: xx.x0 ± 0.25 [0.010]  
0.xx ± 0.05 [0.002]